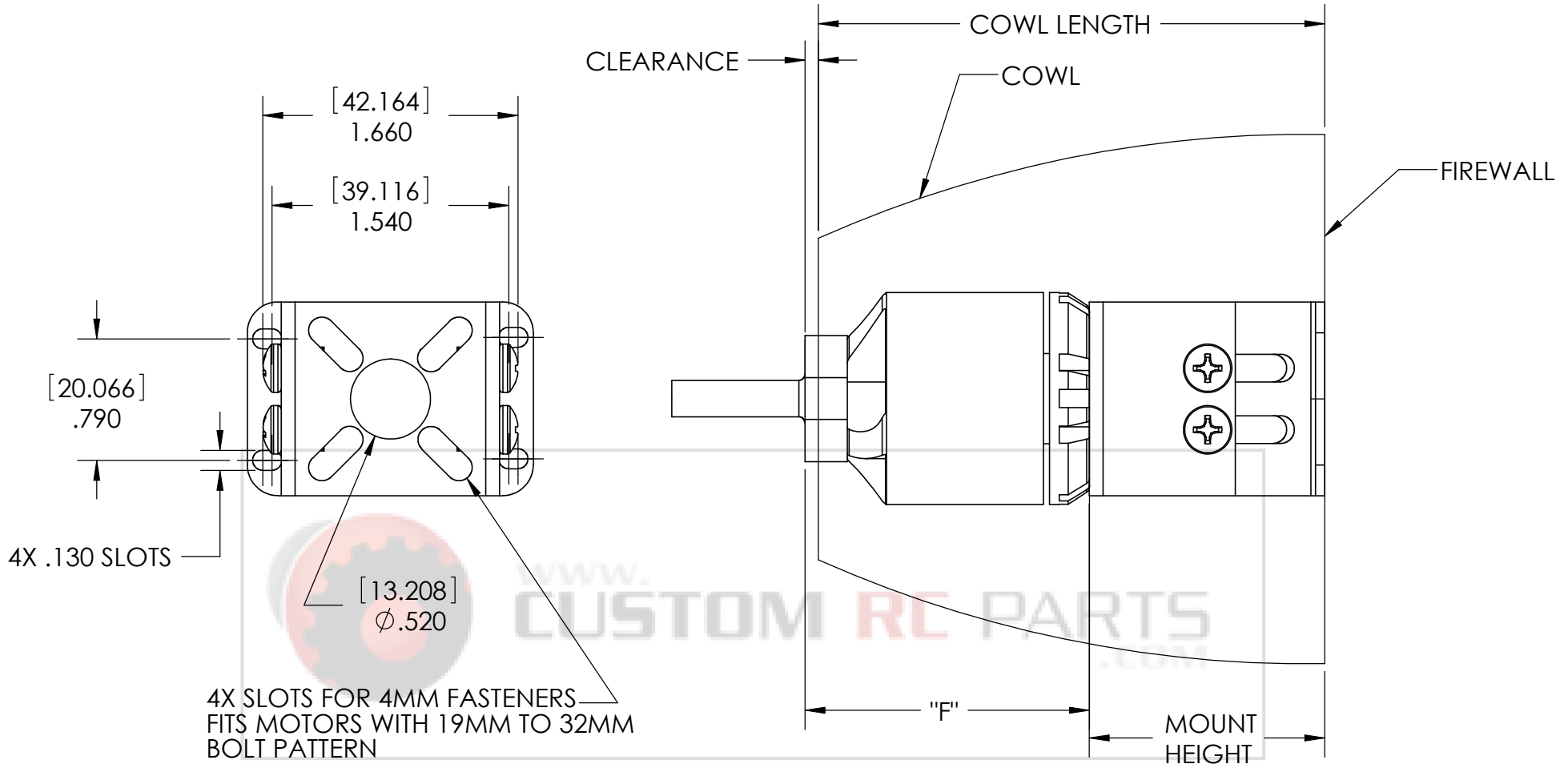


FMS MOUNT WORKSHEET



4X SLOTS FOR 4MM FASTENERS
 FITS MOTORS WITH 19MM TO 32MM
 BOLT PATTERN

NOTE: WASHERS ARE INCLUDED FOR
 MOTORS THAT USE 3MM FASTENERS

MOUNT HEIGHT RANGE:
 1.12" (28.45mm) TO 1.53" (38.91 mm)

1. MEASURE THE "F" DIMENSION OF YOUR MOTOR _____
2. DECIDE HOW MUCH CLEARANCE YOU WANT _____
3. MEASURE THE LENGTH OF THE COWL _____
4. CALCULATE: COWL LENGTH - (CLEARANCE + "F") _____

MORE INFO ON THIS AT WWW.CUSTOMRCPARTS.COM
 RESOURCES -> MOTOR WORKSHEETS

MEASURE THE CLEARANCE THAT WAS PRESENT WITH THE STOCK SETUP

THIS IS MEASURED FROM WHERE THE MOUNT INSTALLS
 ON THE FIREWALL TO THE END OF THE COWL

IF THIS DIMENSION IS IN THE MOUNT HEIGHT RANGE SHOWN
 ABOVE, THE MOUNT WILL WORK.